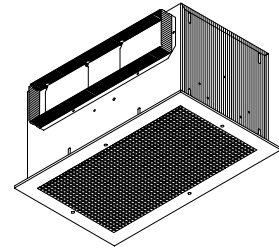


LOSONE® SELECT™ CEILING MOUNT VENTILATORS L400, L500, L700 SERIES



Incredibly reliable. Unbelievably quiet. Offering the CFM choices you need at the lowest sound levels in the industry.

FEATURES

GRILLE:

- Conceals interior
- Low profile styling blends with any decor
- Metal, finished with white painted enamel

BLOWER:

- Low RPM for quiet operation
- Resilient anti-vibration mounts
- Balanced, polymeric, centrifugal blower wheel for quiet, efficient performance (Models L400K & L500K - metal wheels)
- Permanently lubricated, thermally protected motor
- Plug-in motor rated at 120 VAC, ("EX" models - 240 VAC), ("C" models - 277 VAC)
- Designed for continuous operation

HOUSING:

- Rugged galvanized steel
- 4½" x 18½" duct connector
- 1/2" acoustic insulation inside (Models L400K & L500K - no insulation - for kitchen applications)
- May be installed in ceiling or wall (size permitting)
- 8-position mounting brackets for easy installation and greater adaptability to various mounting requirements
- May be adjusted 3/4" perpendicular to finished ceiling or wall
- Automatic backdraft damper located within duct connector
- Factory-shipped in horizontal discharge position - easily converted to vertical discharge
- May be installed as an in-line ventilator with addition of accessory kit Model 982L (purchase separately)

CONTROLS:

- Model 57V (Ivory) / 57W (White) 3 amp Electronic Variable Speed Control
- Model 59V (Ivory) / 59W (White) 60-Minute Time Control

CONTROLS (continued):

- Model 61V (Ivory) / 61W (White) 15-Minute Time Control
- Model 71V (Ivory) / 71W (White) 12-Hour Time Control
- 6-Amp, Electronic Variable Speed Controls Model 72V/72W (120 VAC), Model 75V (240 VAC), Model 277V (277 VAC)

TRANSITION: Model 423 (4½" x 18½" to 10" round)

TYPICAL SPECIFICATION

Ventilator shall be Broan Model L400, (L400EX), (L400C), (L400K), (L500), (L500EX), (L500C), (L500K), (L700), (L700EX), (L700C).

Ventilator shall have galvanized steel housing insulated with at least 1/2" of acoustic insulation (with no insulation - Models L400K & L500K). Housing to have adjustable mounting brackets.

Automatic backdraft damper to be located within duct connector. Duct connector, blower assembly, and wiring plate shall be adjustable for either horizontal or vertical installation.

Blower unit shall be removable from housing and will have a polymeric (metal - Models L400K & L500K), balanced centrifugal-type blower wheel. Motor to be permanently lubricated and mounted with resilient anti-vibration mounts. RPM not to exceed number listed for each model.

Air delivery shall be no less and sound levels no greater than listed for each model. All air and sound ratings shall be certified by AMCA. Units to be UL and cUL listed.



"Broan Mfg. Co., Inc. certifies that the models shown herein are licensed to bear the AMCA Seal. The ratings shown are based on tests and procedures performed in accordance with AMCA Publication 211 (and AMCA Publication 311 if sound is also certified) and comply with the requirements of the AMCA Certified Ratings Program"



BROAN MFG. CO., INC./A NORTEK COMPANY HARTFORD, WISCONSIN 53027

REFERENCE	QTY.	REMARKS	Project
			Location
			Architect
			Engineer
			Contractor
			Submitted by Date

PERFORMANCE RATINGS - LOSONE® SELECT™ CEILING MOUNT VENTILATORS L400, L500, L700 SERIES

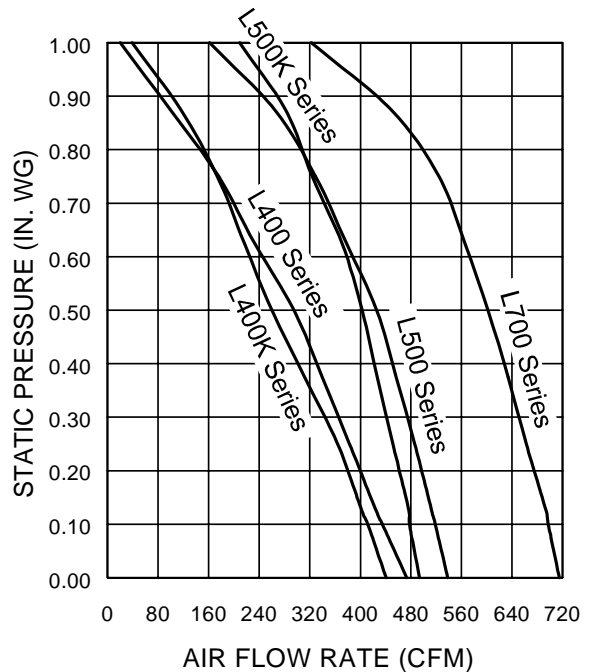
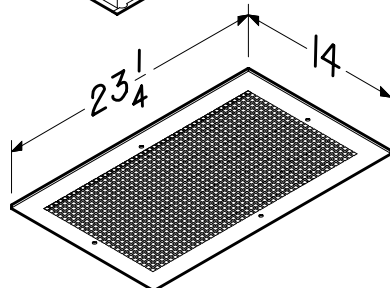
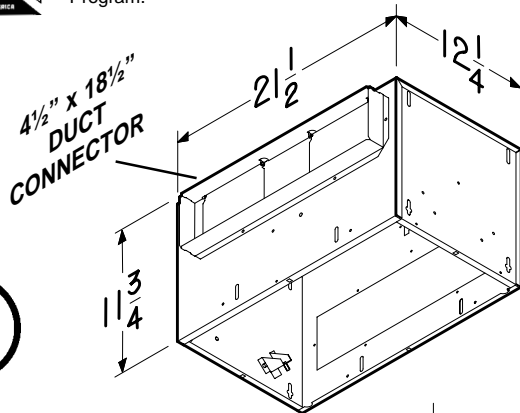
AMCA LICENSED PERFORMANCE

CFM / SONES - AT STATIC PRESSURES (Ps - inches of H ₂ O)															
MODEL NO.	NOMINAL VOLTAGE		0.0" Ps	.10" Ps	.125" Ps	.250" Ps	.375" Ps	.50" Ps	.625" Ps	.750" Ps	.875" Ps	1.0" Ps	NOMINAL RPM	AMPS @ 60 Hz	WATTS
L400	120 VAC	CFM Hor.	480	442	434	388	344	299	229	182	114	33	735	1.6	171
L400EX	240 VAC	SONES Hor.	2.0	2.4	2.3	2.8	3.3	3.8	4.5	4.8	5.4	5.6			
L400C	277 VAC	CFM Ver.	467	428	416	378	335	291	237	170	85	8	755	1.6	165
		SONES Ver.	2.3	2.6	2.6	3.0	3.5	4.0	5.1	5.5	5.7	5.9			
L400K	120 VAC	CFM Hor.	442	415	406	370	330	274	230	191	130	50	675	1.6	171
		SONES Hor.	2.9	3.2	3.3	3.8	4.4	5.3	6.0	6.5	6.8	7.2			
		CFM Ver.	440	409	399	358	294	246	203	157	102	28	680	1.7	172
		SONES Ver.	2.9	3.4	3.3	4.0	5.0	6.1	6.3	6.8	7.1	7.2			
L500	120 VAC	CFM Hor.	538	520	514	491	463	434	389	339	282	186	810	2.2	221
L500EX	240 VAC	SONES Hor.	3.0	3.1	3.3	3.6	4.0	4.4	5.0	5.7	6.2	6.7			
L500C	277 VAC	CFM Ver.	539	517	512	481	451	418	367	319	247	137	865	2.1	218
		SONES Ver.	2.9	3.1	3.2	3.4	3.8	4.2	4.8	5.9	6.3	6.4			
L500K	120 VAC	CFM Hor.	506	484	481	460	435	418	389	337	301	231	700	2.0	209
		SONES Hor.	4.3	4.3	4.4	5.0	5.6	6.2	7.0	7.6	8.0	8.3			
		CFM Ver.	481	472	473	443	418	388	353	311	262	187	705	2.2	225
		SONES Ver.	3.6	3.9	4.0	4.5	5.6	6.1	6.7	8.4	8.1	8.6			
L700	120 VAC	CFM Hor.	722	704	701	667	640	607	571	534	453	333	960	2.8	300
L700EX	240 VAC	SONES Hor.	4.5	4.6	4.7	4.8	5.0	5.2	5.6	6.2	7.1	7.2			
L700C	277 VAC	CFM Ver.	708	691	687	658	628	597	560	515	444	312	985	2.9	315
		SONES Ver.	5.2	5.0	5.0	5.7	5.8	6.1	6.4	7.4	7.1	7.6			

The performances shown are with inlet grille, backdraft damper and outlet duct. RPM shown is nominal and the performance is based on actual speed of test. The sound ratings shown are loudness values in fan sones at 5' (1.5m) in a hemispherical free field calculated per AMCA Std. 301. Values shown are for installation Type B: free inlet fan sone levels.



"Broan Mfg. Co., Inc. certifies that the models shown herein are licensed to bear the AMCA Seal. The ratings shown are based on tests and procedures performed in accordance with AMCA Publication 211 (and AMCA Publication 311 if sound is also certified) and comply with the requirements of the AMCA Certified Ratings Program."



WEIGHT

MODEL NO.	SHIPPING WT.
L400, L400EX, L400C L500, L500EX, L500C	33.8 lbs.
L400K, L500K	36.2 lbs.
L700, L700EX, L700C	33.9 lbs.



BROAN MFG. CO., INC.
HARTFORD, WISCONSIN 53027
1-800-548-0790